

6375 GLP X4 Concentric Ring Mounting Kit
(New Style - installs without a diffuser)
Installation Instructions

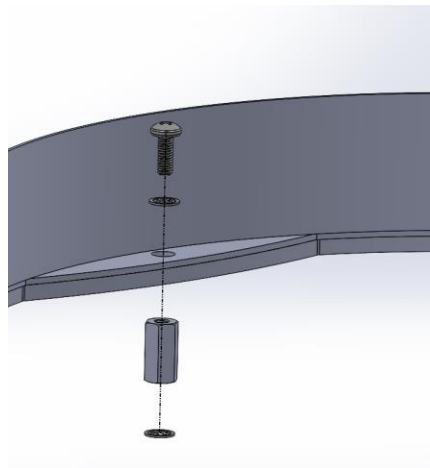
1. Unscrew the 3 Nylock nuts from the fixture.



2. Install the standoff with the lock washer.



3. Place the concentric ring on the fixture, lining up the mounting holes with the standoffs. Attach the concentric ring with a lock washer and screw.



6375 GLP X4 Concentric Ring Mounting Kit
(New Style - installs without a diffuser)
Installation Instructions

Old Style:

