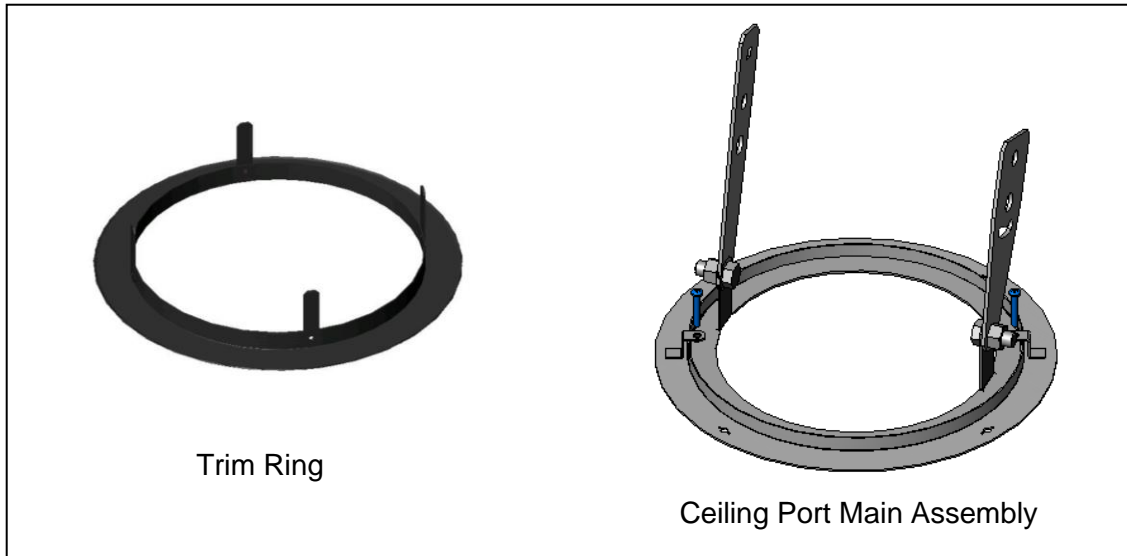
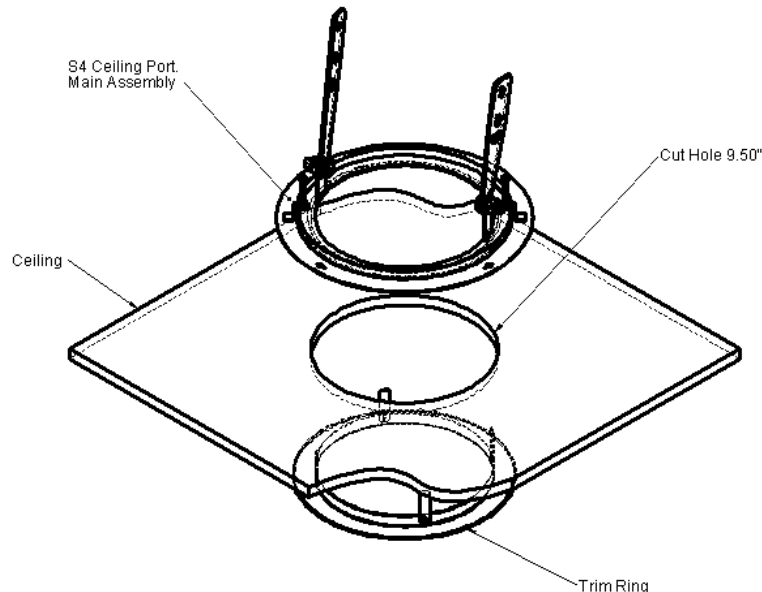


INSTALLATION GUIDE

The City Theatrical Ceiling Mount for Source Four Par provides a permanent in-ceiling mounting system for ETC Source Four™ Par and PARnel Luminaires that combines ease of installation, light weight, and simple positioning into a flexible and economical package. The CTI Ceiling Mount for Source Four Par is equipped with a Trim Ring to provide a clean and neatly dressed edge to the mounting hole in the ceiling.



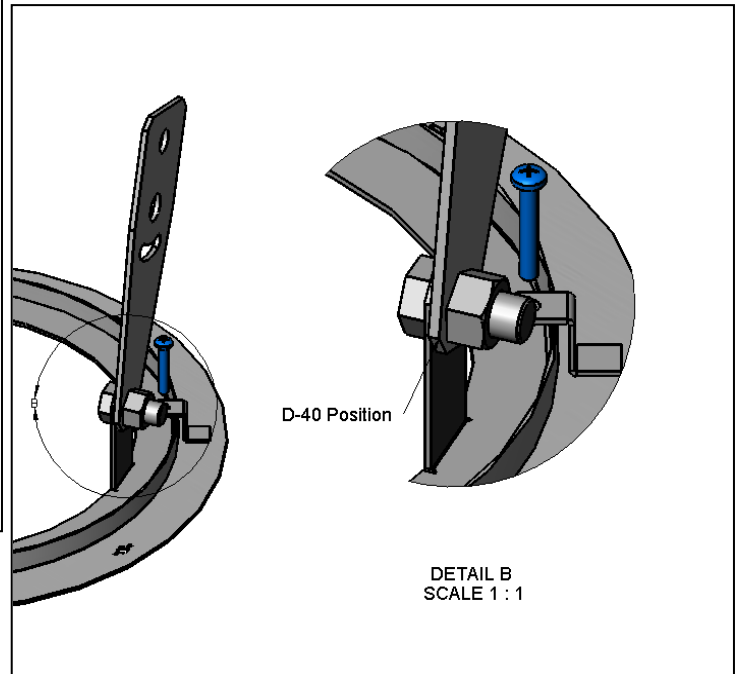
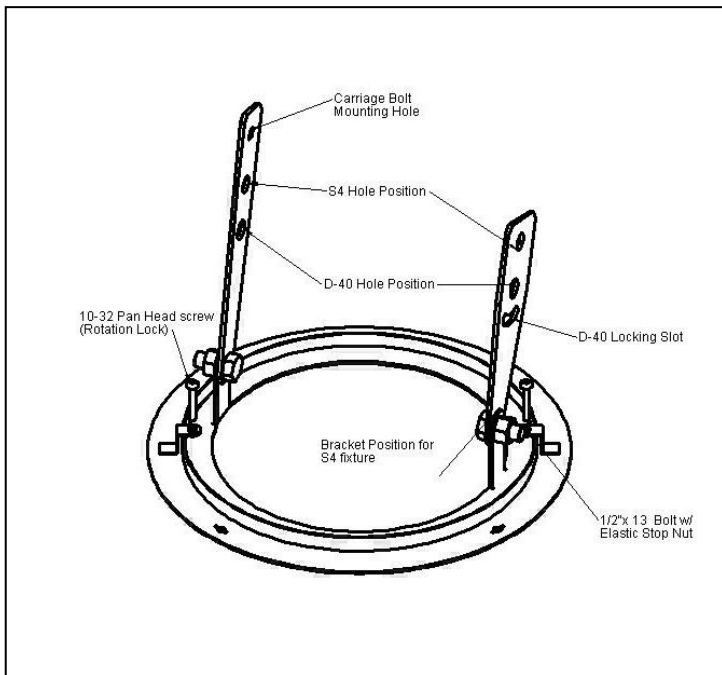
The CTI Ceiling Mount with a Source Four™ Par weighs approximately 17 lbs., D-40 weighs approximately 22 Lbs. Care should be taken to assure that the mounting location can safely support the unit.



The CTI S4 Par Ceiling Port (main assembly) mounts above the ceiling and the Trim Ring Mounts from the underside of the ceiling. Usually, it is easier to mount the Source 4 Par into the Ceiling Mount prior to installation, but the fixture may be installed after installation too.

Pre-assembly

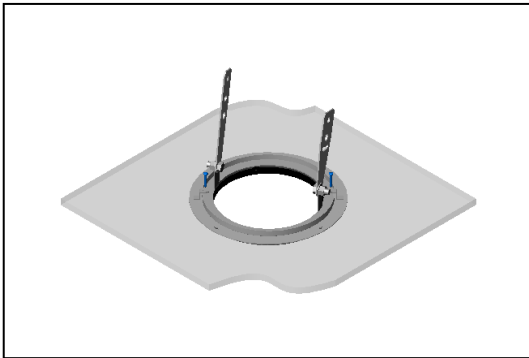
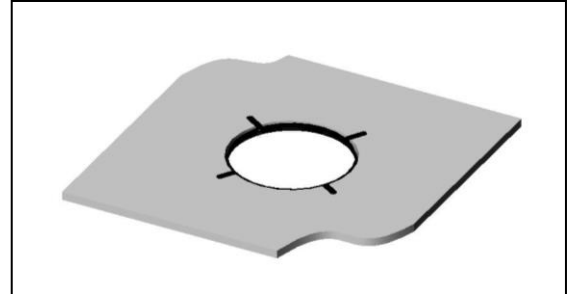
1. Assemble the Ceiling port using the hardware provided.
2. Remove the yoke from the Source 4 Par (or PARnel), and save the yoke hardware.
3. Mount the Source 4 Par in the Ceiling Port Support Brackets on the inside tabs, then using the Source 4 Par mounting hardware. Be sure and position the fixture so that the metal locking disk is on the same side of the assembly as the Locking Support Bracket with two holes (an upper square hole and a lower round hole). Mount the **D-40** fixture Support Brackets on the outside of the ceiling port tabs. Then using the lower holes on the bracket to mount the D-40 with positioning the locking slot on the same side as the fixture locking handle.



Install the yoke carriage bolt in the square hole provided in the Locking Support Bracket so that it grips the locking ring on the S4 Par, and install the locking knob (this assembly is just like the locking mechanism in the S4 Par yoke, and works the same way).

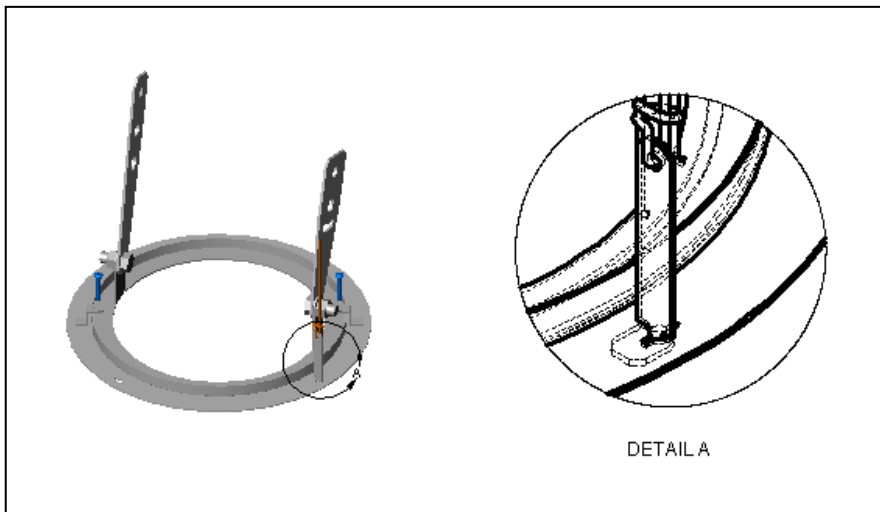
Mounting the Assembled unit

4. Cut a 9.50" diameter hole in the ceiling where the Port is to be located
5. Install the Trim Ring in the hole (from below the ceiling) and fold down the ceiling tabs to hold it in place. The aluminum tabs may be secured with staples or other suitable fasteners.



6. Center the Ceiling Port main assembly above the hole and secure. (4) Mounting holes are provided in the Ceiling Port Base for this purpose.
7. If additional support is needed, the (provided) upper ceiling tabs may be used to connect the Ceiling Port to permanent supports above the mounting position using the wires intended to support suspended ceilings (or other extension means).

To use the upper ceiling tabs:



- a. Install the upper ceiling tabs by inserting in the mounting hole slots and rotate 90°.
- b. Connect ceiling tile support wires to the ceiling tile support structure.
- c. Form a right-angle bend in the wire level with the desired location of the hole in the ceiling port support bracket, and insert the wire through the hole (see drawing below).
- d. Twist the wire back on itself to create a closed loop.
- e. Repeat above to install the remaining wires.

The City Theatrical Ceiling Mount with a Source Four™ Par weighs approximately 17 Lbs.

Care should be taken to assure that the mounting location can safely support the unit.

