

VIA RACK-MOUNT INSTALLATION ENTERTAINMENT ETHERNET SWITCH



Models shown: PWVIA RM P12 RJ45EC SFP SLOT POE

WARRANTY

3-year limited warranty. Complete warranty terms located at:
<https://www.acuitybrands.com/support/warranty>

NOTE

Actual performance may differ as a result of end-user environment and application. Specifications subject to change without notice.



Pathway Pro marked products are geared for advanced entertainment lighting system applications and are available only to authorized buyers.



VIA switches support SixEye cloud-based remote management

OVERVIEW

The VIA™ series of Ethernet Switches are designed specifically for lighting, sound and video signal distribution in all entertainment production systems, including live shows.

Unlike switches designed and marketed for office and communication applications, VIA switches ship unmanaged, pre-configured and optimized for entertainment network use.

Advanced management features, including VLAN Support, EAPS Ring Protection, IGMP, and more are enabled and configured through the free configuration tool, Pathscape. Port LEDs provide instant confirmation of port PoE and Link activity.

The VIA Rack-mount Ethernet switches feature robust housings that will stand up to the abuse of touring shows and theatre backstages.

FEATURES

- 12 locking RJ45 etherCON ports (10 on front panel, 2 on rear)
- Ports support 10/100/1000Base-T speeds
- Two mini-GBIC ports for SFP/SFP+ fiber modules; models pre-populated with 1GB or 10GB SFP transceivers available
- Supports SFP/SFP+ Direct-Attach cables, both active and passive
- Integrated 100W Power-over-Ethernet (PoE) supply for powering compatible external devices, up to 15W per port [POE model]
- Illuminated LCD and rotary encoder for displaying and setting switch and port properties
- Advanced features include IGMP Querier and Snooping, DHCP server per VLAN, Dante-compliant QoS options, EAPS Ring Protection, RSTP
- Art-Net to sACN conversion
- LED Indicators for Device Status/Processor, Global PoE Status, Port PoE and connected device Link Status
- Global properties editable from front panel interface: IP Address, Subnet Mask, Default Gateway, VLAN Configuration, Link Speed, PoE Allocation, DHCP Pool, Ring Protection, IGMP Filtering, QoS Options
- Properties displayed by front panel interface: Switch Name, Port Name, PoE Usage, Serial Number, MAC Address, Firmware Version, Connected Devices (LLDP), Ring Status, Link Status, Port Status, Ring Status, Bandwidth Usage, Switch Chip Temperature
- Silent operation: fanless, convection-cooled design
- 1 RU (Rack Unit) high housing fits standard 19" equipment racks
- Operates on 100-240VAC 50/60Hz wide-ranging power input
- Standard IEC Power input
- Reversible Rack ears included
- Wall-mount (PWACC WMLG) and Truss-mount (PWACC TMLG) accessories available
- Also available in DIN-mount (PWVIA DIN) form factor, and Touring Edition with opticalCON Connectors (PWVIA RM P12 RJ45EC [DUO/QUAD])

ORDERING INFORMATION

PWVIA		EXAMPLE: PWVIA RM P12 RJ45EC 10GSFPP POE					
Series	Form Factor	Port Quantity	Port Type	Additional Ports	PoE Enabled		
PWVIA Pathway VIA Ethernet Switch	RM Rack-mount	P12 12 Ethernet Ports	RJ45EC RJ45 etherCON Connector	SFP SLOT 2 SFP/SFP+ Slots, Empty 1GSFP ¹ SFP 850nm 1GB Ethernet Optical Transceiver 10GSFPP ¹ SFP+ 850nm 10GB Ethernet Optical Transceiver	NONPOE Without PoE POE PoE Enabled		

Notes

1. If selecting either 1GSFP or 10GSFPP, note this option will ship with 2x SFP/SFP+ transceivers, one per port.

SPECIFICATIONS

Electrical

Input Ratings **PWVIA RM P12 RJ45EC [xxxx] NONPOE**

100-240VAC 50/60Hz power input
25W maximum power consumption

PWVIA RM P12 RJ45EC [xxxx] POE

100-240VAC 50/60Hz power input
125W maximum power consumption (25W for switch, 100W distributed to connected PoE devices)

Output Ratings **PWVIA RM [xxxx] POE**

Class 3 PoE available on Ports 1-12 (maximum 15.4W per port)

Regulatory Compliance ETL
CE

Mechanical

Dimensions 17" W x 1.7" H x 7" D (432mm W x 43mm H x 178mm D)
[without attached rack-mounting hardware]

Weight **PWVIA RM P12 RJ45EC [xxxx] NONPOE** 4.7 lbs (2.1 kg)
PWVIA RM P12 RJ45EC [xxxx] POE 5.2 lbs (2.4 kg)

Environmental

Operating Temperature 14°F to 122°F (-10°C to 50°C)

Relative Humidity 5-95%, non-condensing

Standard Compliance RoHS 2011/65/EU + A1 2015/863

General

Compliance ANSI E1.31 sACN - Streaming ACN
IEEE 802.3 Ethernet
IEEE 802.3af Power-over-Ethernet (POE Models)
IEEE 802.1AB Link Layer Discovery Protocol
IEEE 802.1Q VLAN support
IEEE 802.1w Rapid Spanning Tree Protocol (RSTP)
IETF EAPS - Ethernet Automatic Protection Switching
IETF IGMPv2 - Internet Group Management Protocol
Dante QoS - Quality of Service
California Title 1.81.26, Security of Connected Devices

PART NUMBER CROSS-REFERENCE

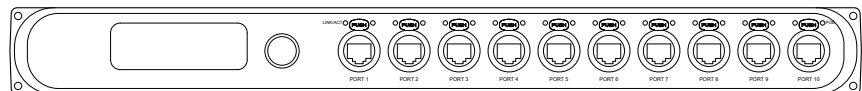
PREVIOUS		NEW
Part Number	Catalog Number	Description
6750	PWVIA RM P12 RJ45EC SFPSLOT NONPOE	VIA, Rack-mount, 12-Ports, RJ45 etherCON, Empty SFP Slots, Without PoE
6750-P	PWVIA RM P12 RJ45EC SFPSLOT POE	VIA, Rack-mount, 12-Ports, RJ45 etherCON, Empty SFP Slots, PoE Enabled

ADDITIONAL ORDERING INFORMATION

Accessories	
PWACC WMLG	Pathway Accessory, Large Rack-mount to Wall-mount kit
PWACC TMLG	Pathway Accessory, Large Rack-mount to Truss-mount kit
PWACC SFP	Pathway Accessory, SFP 850nm 1GB Ethernet Optical Transceiver (VIA8, VIA12, VIA16)
PWACC SFPP	Pathway Accessory, SFP+ 850nm 10GB Ethernet Optical Transceiver (VIA8, VIA12)
PWACC EARS	Pathway Accessory, 19" Replacement Rackmount Ear Kit

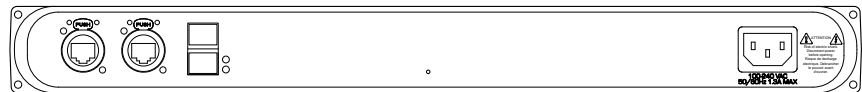
FRONT PANEL

PWVIA RM P12 RJ45EC **SFPSLOT** **NONPOE**
1GSFP **POE**
10GSFPP

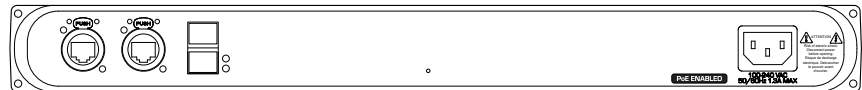


REAR PANEL

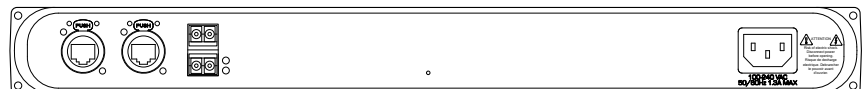
PWVIA RM P12 RJ45EC SFPSLOT **NONPOE**



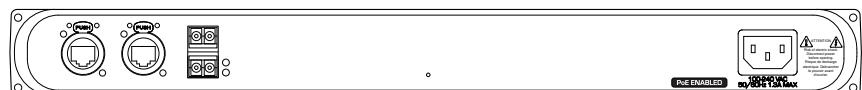
PWVIA RM P12 RJ45EC SFPSLOT **POE**



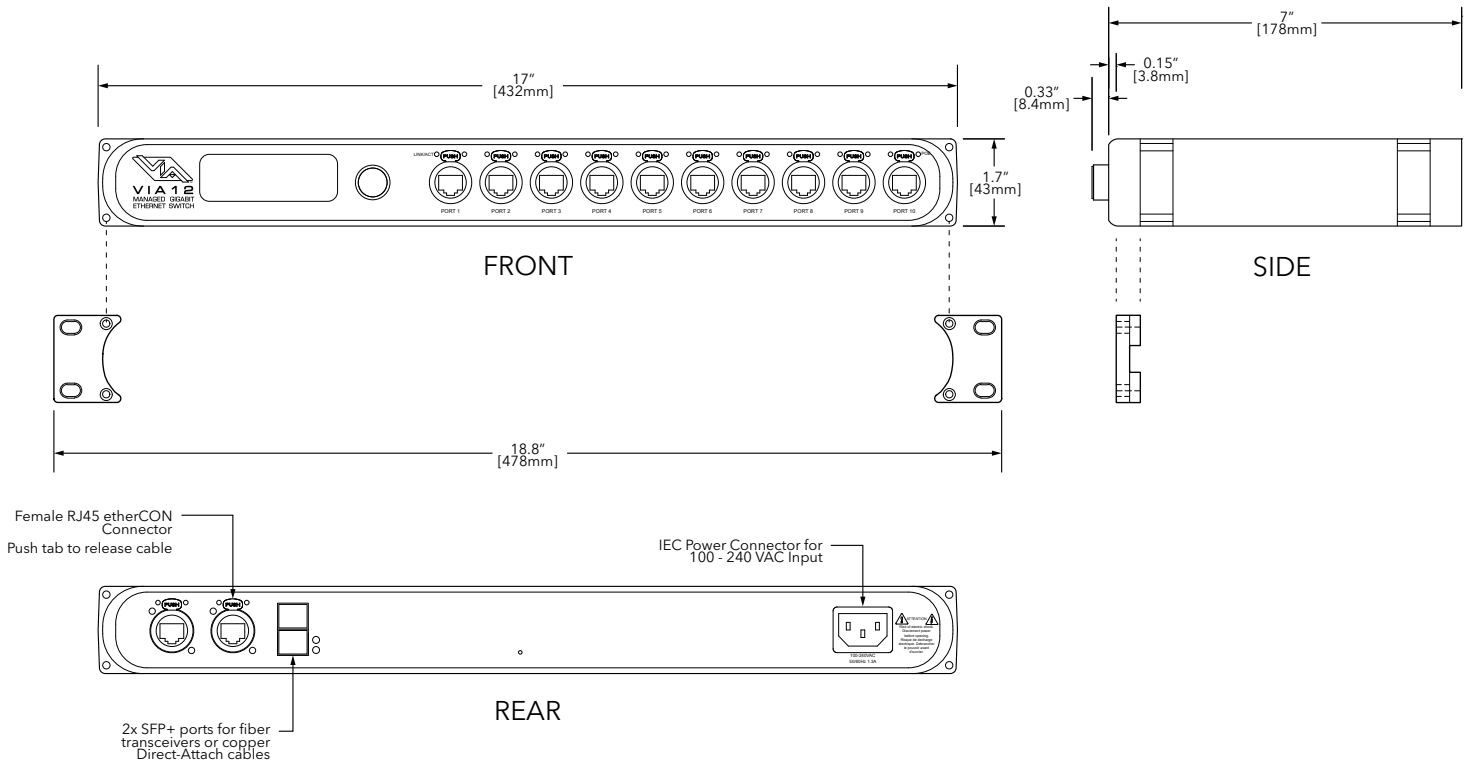
PWVIA RM P12 RJ45EC **1GSFP** **NONPOE**
10GSFPP



PWVIA RM P12 RJ45EC **1GSFP** **POE**
10GSFPP



DIMENSIONS



APPLICATION RISER

