

PATHPORT PORTABLE DMX/RDM ETHERNET GATEWAY



Model shown: PWPP DT P1 XLR5F

WARRANTY

3-year limited warranty. Complete warranty terms located at:
<https://www.acuitybrands.com/support/warranty>

NOTE

Actual performance may differ as a result of end-user environment and application. Specifications subject to change without notice.

OVERVIEW

The Pathport® series of DMX-over-Ethernet Gateways are the heart of DMX distribution.

Connect DMX512 control devices and send data over an Ethernet network to DMX512-capable end devices such as intelligent lighting fixtures, LEDs, Dimmers, and more. The port can be configured as an Input or Output as needed.

Advanced features include extensive protocol support, slot-by-slot patching using multiple sources, cross-fading on priority change and signal loss behavior. Different Ethernet protocols may be merged together and prioritized. Status LEDs provide instant confirmation of port activity.

The Pathport® Portable 1-Port Gateway is ideal for applications where a small, compact and easily movable DMX Port is needed.

FEATURES

- One configurable DMX port
- 10 Mbps Ethernet port
- LED Indicators for DMX status and Ethernet link activity
- DMX output configured as whole universes or custom slot-by-slot patch
- Map up to eight control sources to each output slot, with merge and/or priority options for each source
- Acts as E1.20 RDM controller, when used with free Pathscape configuration software or ANSI E1.33 RDMnet compliant controllers
- User-configurable DMX output speed and signal loss behavior
- Compact, lightweight but robust aluminum housing
- Supports the following Ethernet sending and receiving protocols:
 - Pathway ssACN (Secure sACN)
 - E1.31 streaming ACN (sACN)
 - Art-Net
 - Pathport Protocol
 - ShowNet
- Operates on Power-over-Ethernet (PoE) or auxiliary 24-48VDC input
- Also available in DIN-mount (PWPP DIN) and Wall-mount (PWPP WM) form factors

ORDERING INFORMATION

PWPP		EXAMPLE: PWPP DT P1 XLR5F					
Series		Form Factor		Port Quantity		Port Type	
PWPP	Pathway Pathport DMX/RDM Ethernet Gateway	DT	Desktop	P1	1 DMX Port	XLR5M	XLR 5-Pin Male
		TM	Truss-mount			XLR5F	XLR 5-Pin Female

Accessories

PWPWR WW BARL 24W 24VDC Power Supply, Wallwart, Barrel, 24 Watts, 24 Volts DC

SPECIFICATIONS

Electrical	Input Ratings	PoE Class 1 device 24VDC auxiliary power input 4W maximum power consumption
	Isolation & Fault Protection	60V fault protection on DMX port
	Regulatory Compliance	CE

Mechanical	Dimensions	PWPP DT P1 1.85" W x 3.2" H x 5.0" D (46.5mm W x 81mm H x 126.5mm D) PWPP TM P1 1.85" W x 4.15" H x 5.2" D (46.5mm W x 105.5mm x 132mm D)
	Weight	1.0 lbs (0.45 kg)

Environmental	Warrantied Operating Temperature	14°F to 122°F (-10°C to 50°C)
	Relative Humidity	5-95%, non-condensing
	Standard Compliance	RoHS 2011/65/EU + A1 2015/863

General	Compliance	ANSI E1.11 DMX512-A R2013 ANSI E1.20 RDM - Remote Deice Management ANSI E1.31 sACN - Streaming ACN, Art-Net, Strand ShowNet, Pathway ssACN ANSI E1.33 RDMnet - RDM over IP IEEE 802.3af Power-over-Ethernet California Title 1.81.26, Security of Connected Devices
----------------	-------------------	--

PART NUMBER CROSS-REFERENCE

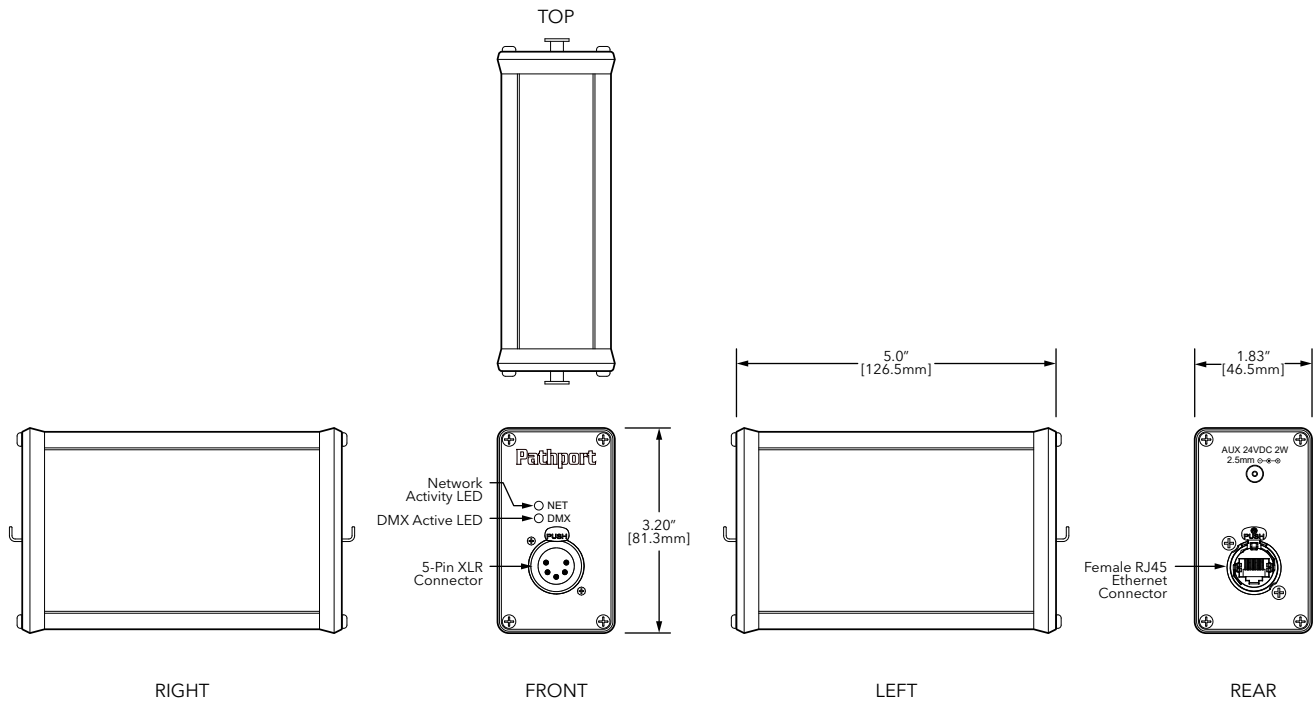
PREVIOUS		NEW	
Part Number	Catalog Number	Description	
6151	PWPP TM P1 XLR5M	Pathport, Truss-mount, 1-Port, XLR 5-Pin Male	
6152	PWPP TM P1 XLR5F	Pathport, Truss-mount, 1-Port, XLR 5-Pin Female	
6153	PWPP DT P1 XLR5M	Pathport, Desktop, 1-Port, XLR 5-Pin Male	
6154	PWPP DT P1 XLR5F	Pathport, Desktop, 1-Port, XLR 5-Pin Female	

WIRING

DMX512 / RDM PINOUT		
Purpose	XLR / Terminal Block Pin #	RJ45 PIN # and Wire Color
Shield / Common	1	7 - White / Brown
Data - (complement)	2	2 - Orange
Data + (true)	3	1 - White / Orange
Not Used	4	6 - Green
Not Used	5	3 - White / Green
Not Used - Do Not Connect	N/A	4 - Blue
Not Used - Do Not Connect	N/A	5 - White / Blue
Not Used - Do Not Connect	N/A	8 - Brown

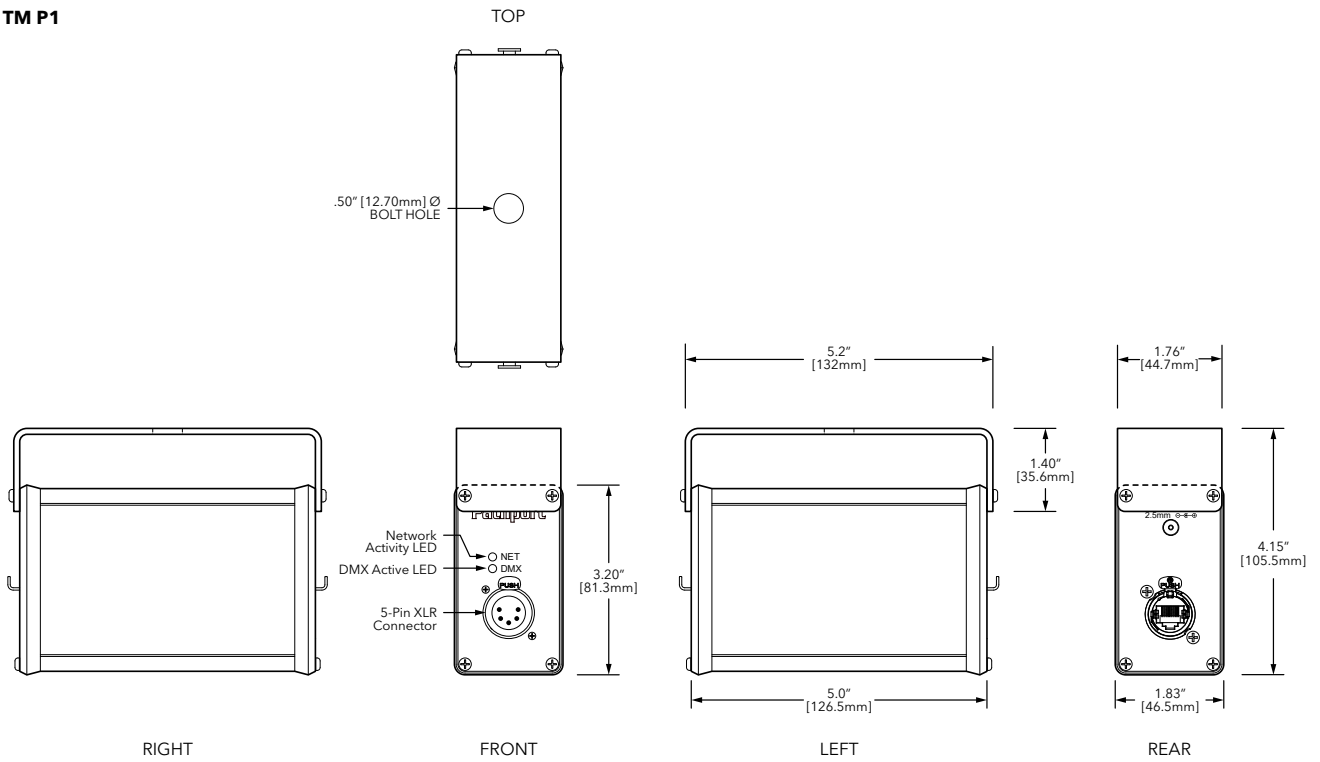
DIMENSIONS

PWPP DT P1



DIMENSIONS

PWPP TM P1



APPLICATION RISER

