

DIN ENCLOSURES & RACK-MOUNT TRAY



Models shown: 1. PWENC LRG VER
2. PWENC MED VER
3. PWENC MED HOR
4. PWENC SHELF HOR
5. PWENC SML VER
6. PWENC SML HOR

WARRANTY

3-year limited warranty. Complete warranty terms located at:
<https://www.acuitybrands.com/support/warranty>

NOTE

Actual performance may differ as a result of end-user environment and application. Specifications subject to change without notice.

OVERVIEW

The Pathway DIN Enclosures are NEMA1 Enclosures designed to house DIN-mountable devices and power supplies for permanent installs.

Available in three sizes, Small, Medium and Large, and with Horizontal or Vertical DIN rail layouts, it is easy to configure an enclosure to fit your particular DIN equipment setup.

Alternatively, the Pathway DIN Rack Shelf Unit provides a method to create a custom rack-mountable DIN assembly for integration into an equipment rack without needing its own enclosure.

Constructed from rugged powdercoated steel, the Pathway DIN Enclosures and Rack Shelf will withstand the abuse of backstages and electrical closets.

FEATURES

- Contractor friendly, sturdy steel construction
- Conduit knockouts on all sides
- Logical arrangement makes wiring neat and easy
- Barrired high-voltage section for power supplies [not including PWENC SHELF] (power supplies ordered separately)
- Internal DIN rail will accept Pathway DIN devices and third-party 35mm DIN-rail modules
- No cooling fans required
- Removable door [PWENC SML and PWENC MED models]
- Removable hinged door [PWENC LRG model]
- Two 3-Gang cutouts on front door with blank cover plates [PWENC LRG model]
- Black powdercoat finish
- Pre-installation service of Pathway DIN devices and power supply is available (PWSA); when DIN devices are factory-installed, assembly is UL-listed
- Rack Shelf (PWENC SHELF) fits standard 19" equipment racks, 2 RU height accommodates all Pathway DIN devices
- Rack Shelf includes integrated cable management strips along rear edge

ORDERING INFORMATION

PWENC		EXAMPLE: PWENC MED VER	
Series	Model	DIN Rail Layout	
PWENC Pathway DIN Enclosures	SHELF ¹ 2 RU Shelf Unit	HOR	Horizontal Rails
	SML Small DIN Enclosure, 10" x 13" x 4.5"	VER	Vertical Rails
	MED Medium DIN Enclosure, 10" x 23" x 4.5"		
	LRG ² Large DIN Enclosure, 18.5" x 31.5" x 6.25"		

Notes

1. SHELF model available only in HOR.
2. LRG model available only in VER.

SPECIFICATIONS

Electrical	Regulatory Compliance	PWENC SHELF HOR CE
		PWENC [SML/MED] UL-listed
		PWENC LRG VER CE CSA-listed
	Other	Barriered High-Voltage section for power supplies [not applicable to PWENC SHELF]

Mechanical	Dimensions	PWENC SHELF HOR Face: EIA 19" (482mm) x 2RU (3.5") Tray: 17" W x 10" D (432mm W x 254mm D)							
		PWENC SML [HOR/VER] 10" W x 13" H x 4.5" D (260mm W x 330mm H x 114mm D)							
		PWENC MED [HOR/VER] 10" W x 23" H x 4.5" D (260mm W x 584mm H x 114mm D)							
		PWENC LRG VER 18.5" W x 31.5" H x 6.25" D (470mm W x 800mm H x 159mm D)							
		Weight	<table border="0"> <tr> <td>PWENC SHELF HOR</td> <td>5.1 lbs (2.3 kg)</td> </tr> <tr> <td>PWENC SML [HOR/VER]</td> <td>8.5 lbs (3.9 kg)</td> </tr> <tr> <td>PWENC MED [HOR/VER]</td> <td>13.5 lbs (6.1 kg)</td> </tr> <tr> <td>PWENC LRG VER</td> <td>42.5 lbs (19.3 kg)</td> </tr> </table>	PWENC SHELF HOR	5.1 lbs (2.3 kg)	PWENC SML [HOR/VER]	8.5 lbs (3.9 kg)	PWENC MED [HOR/VER]	13.5 lbs (6.1 kg)
PWENC SHELF HOR	5.1 lbs (2.3 kg)								
PWENC SML [HOR/VER]	8.5 lbs (3.9 kg)								
PWENC MED [HOR/VER]	13.5 lbs (6.1 kg)								
PWENC LRG VER	42.5 lbs (19.3 kg)								

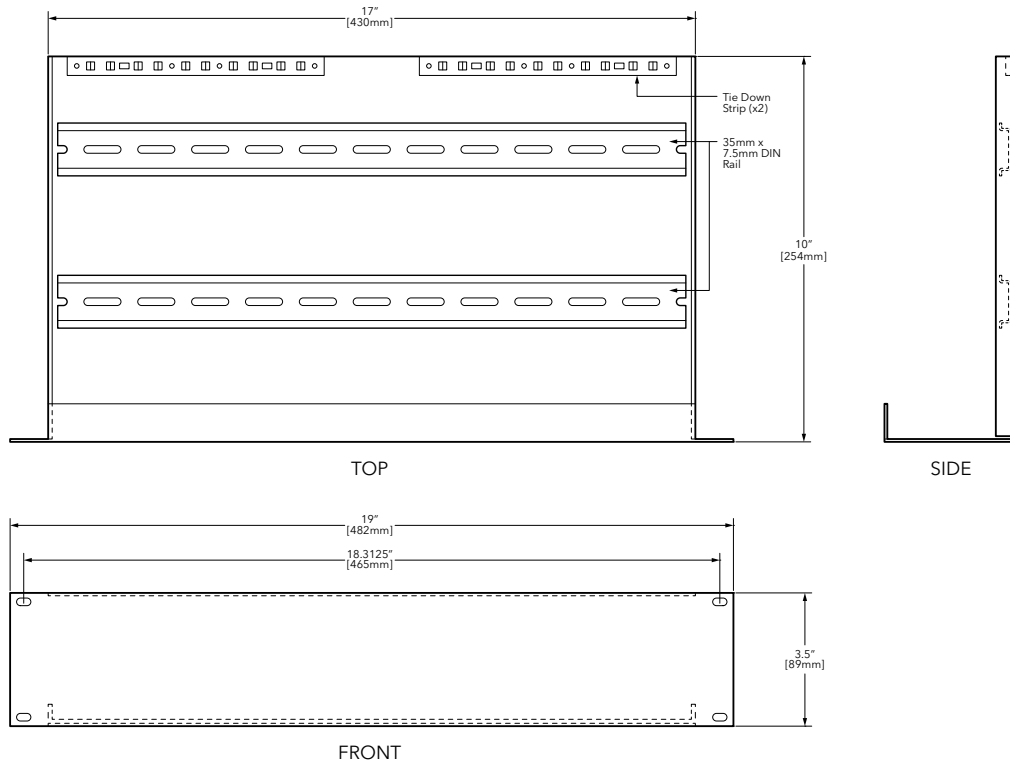
Environmental	Standard Compliance	RoHS 2011/65/EU:2015/863 NEMA1 Enclosure
----------------------	----------------------------	---

PART NUMBER CROSS-REFERENCE

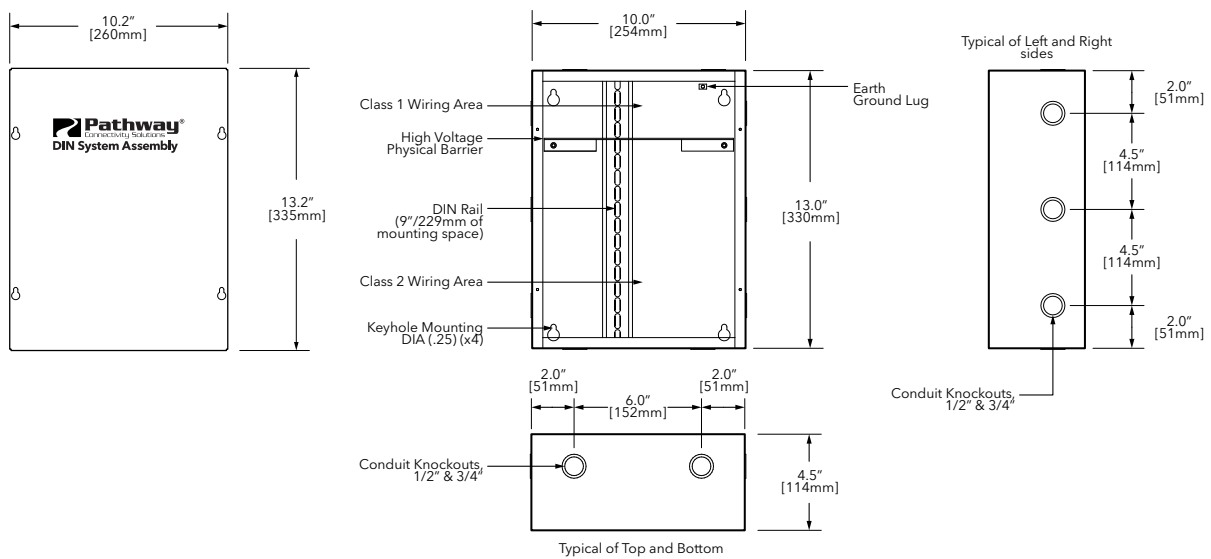
PREVIOUS	NEW	
Part Number	Catalog Number	Description
1103	PWENC SHELF HOR	DIN System Enclosure, 2-RU Shelf unit with 2x16.5", Horizontal Rails
1105	PWENC SML VER	DIN System Enclosure, Small 10" x 13" x 4.5", Vertical Rails
1106	PWENC MED VER	DIN System Enclosure, Medium 10" x 23" x 4.5", Vertical Rails
1107	PWENC MED HOR	DIN System Enclosure, Medium 10" x 23" x 4.5", Horizontal Rails
1108	PWENC SML HOR	DIN System Enclosure, Small 10" x 13" x 4.5", Horizontal Rails
1109	PWENC LRG VER	DIN System Enclosure, Large 18.5" x 31.5" x 6.25", Vertical Rails

DIMENSIONS

PWENC SHELF HOR

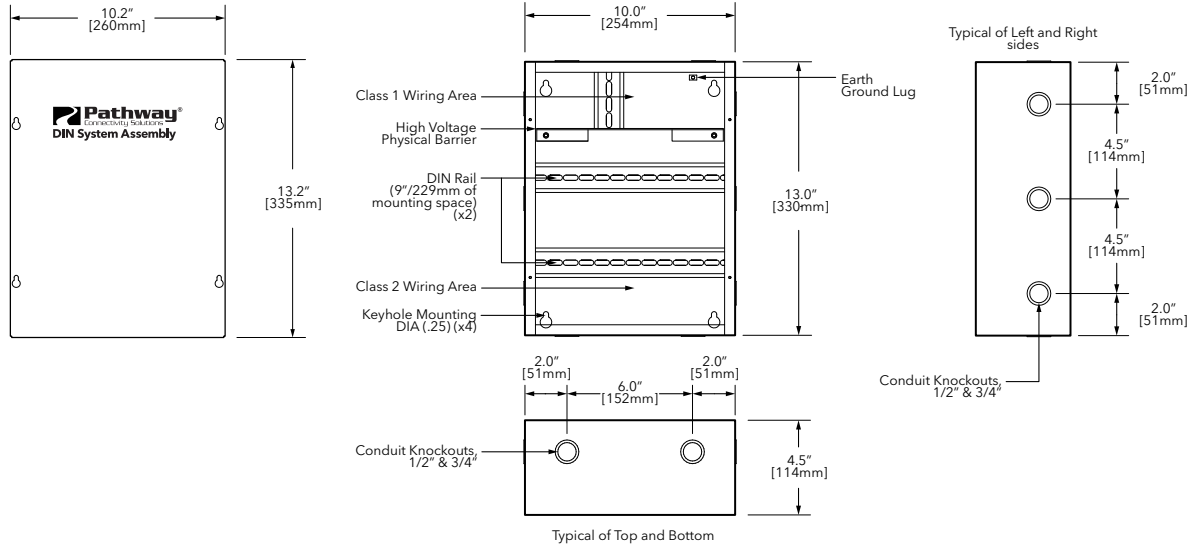


PWENC SML VER

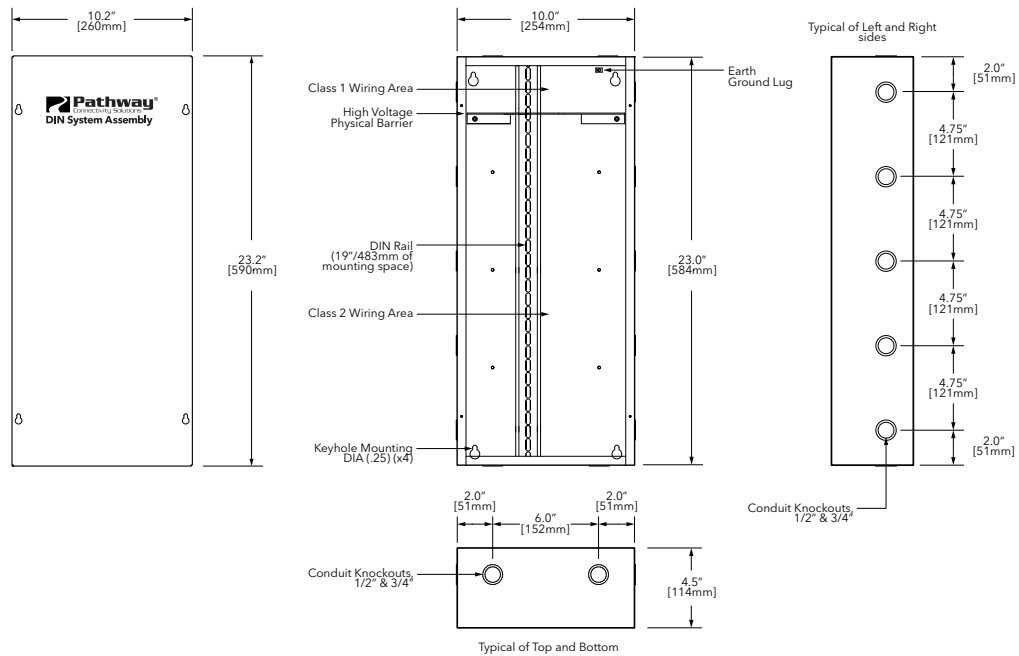


DIMENSIONS

PWENC SML HOR

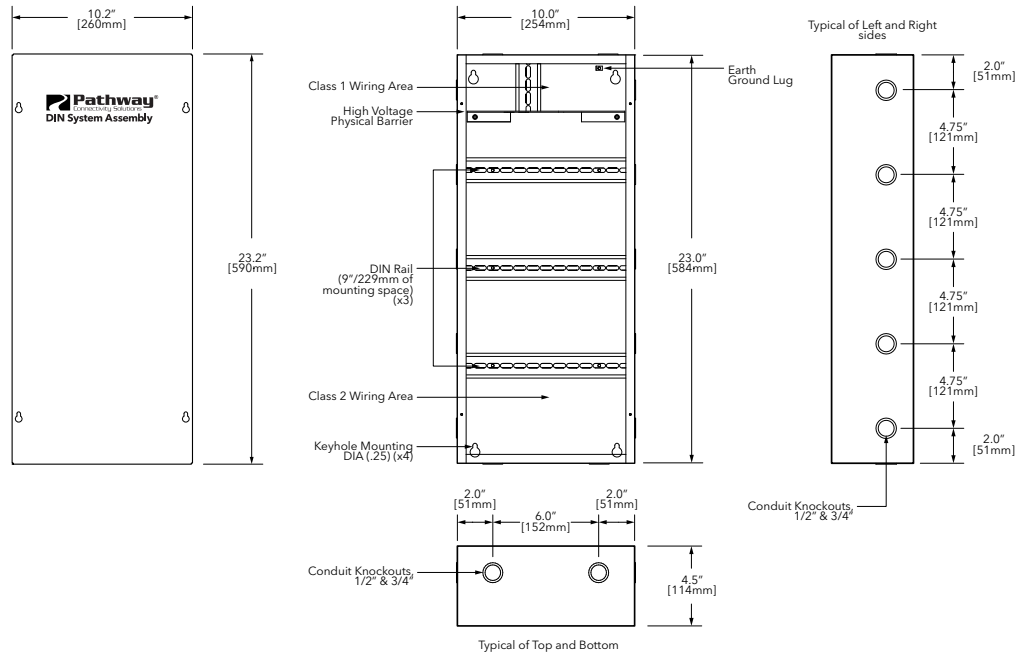


PWENC MED VER



DIMENSIONS

PWENC MED HOR



PWENC LRG VER

