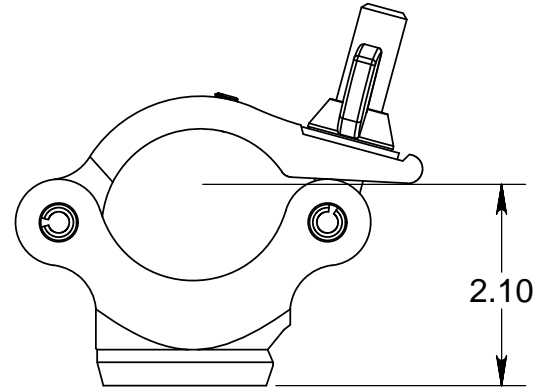
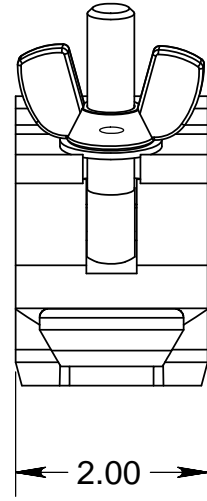


8 7 6 5 4 3 2 1

D

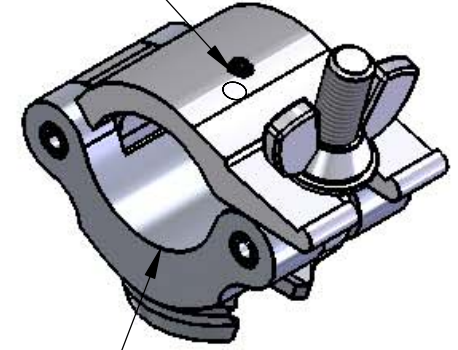


2.10



2.00

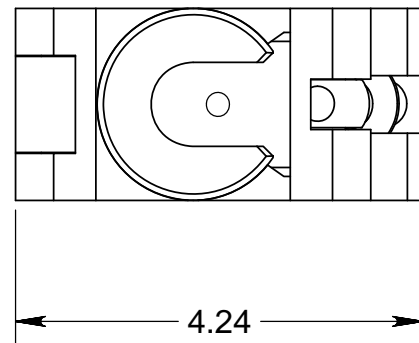
Set Screw



To be used with
1-1/2" Pipe

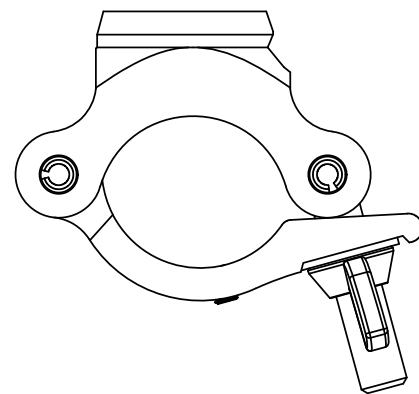
C

B



4.24

A



Load Rating: 100 lbs in vertical down position

- APPROVED AS SUBMITTED
BY _____
DATE _____
- APPROVED WITH CHANGES
AS NOTED
BY _____
DATE _____
- REVISE AND RESUBMIT
BY _____
DATE _____

BY	NAME	DATE	CITY THEATRICAL I N C 475 BARELL AVENUE, CARLSTADT, NJ 07072 800/230/9497 201/549/1160 201/549/1161 FAX	
APPROVED				
MATERIAL				
FINISH		N/A		
TOLERANCE		+/- .060	TITLE Tee Slot with Integral Split Coupler	
ALL DIMENSIONS IN		Inch	PROPRIETARY AND CONFIDENTIAL THE INFORMATION CONTAINED IN THIS DRAWING IS THE SOLE PROPERTY OF CITY THEATRICAL, INC. ANY REPRODUCTION IN PART OR AS A WHOLE WITHOUT THE WRITTEN PERMISSION OF CITY THEATRICAL, INC. IS PROHIBITED.	
SIZE		DWG. NO.	REV	
B		138		
SCALE: 1:2			SHEET 1 OF 1	

8 7 6 5 4 3 2 1