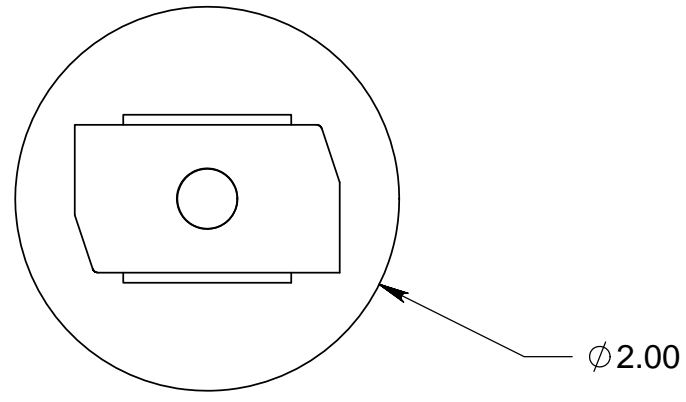


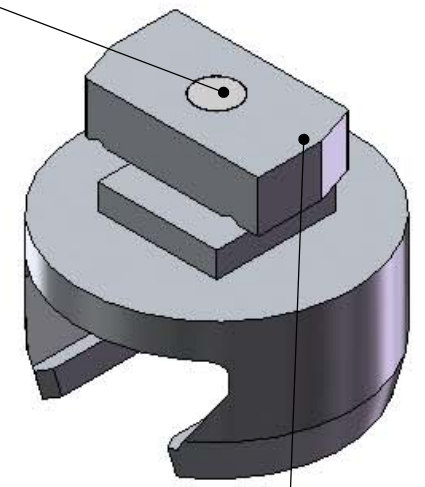
8 7 6 5 4 3 2 1

D

D



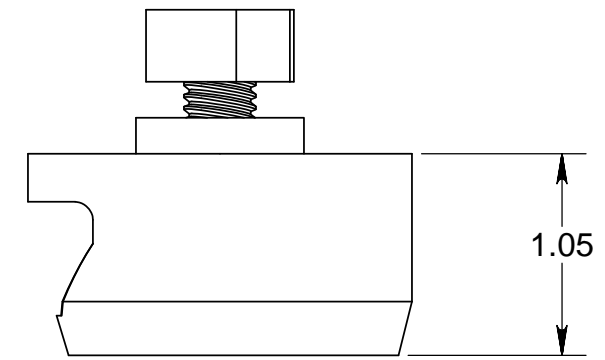
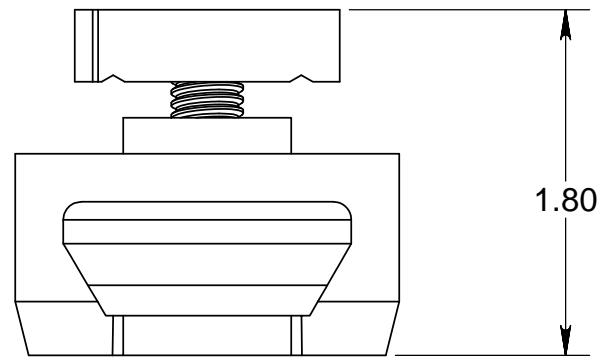
3/8-16 x 1 1/4" FHCS Screw



Channel Nut

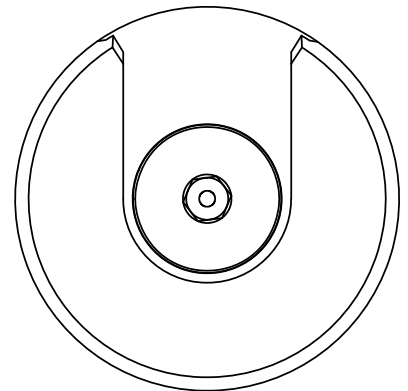
C

C



B

B



Load Rating: 100 lbs in vertical down position

- APPROVED AS SUBMITTED
BY _____
DATE _____
- APPROVED WITH CHANGES
AS NOTED
BY _____
DATE _____
- REVISE AND RESUBMIT
BY _____
DATE _____

BY	NAME	TD	DATE
APPROVED			mm-dd-yy
MATERIAL	Alum		
FINISH	N/A		
TOLERANCE			
ALL DIMENSIONS IN	Inch		
PROPRIETARY AND CONFIDENTIAL THE INFORMATION CONTAINED IN THIS DRAWING IS THE SOLE PROPERTY OF CITY THEATRICAL, INC. ANY REPRODUCTION IN PART OR AS A WHOLE WITHOUT THE WRITTEN PERMISSION OF CITY THEATRICAL, INC. IS PROHIBITED.			

CITY THEATRICAL INC		
475 BARELL AVENUE, CARLSTADT, NJ 07072 800/230/9497 201/549/1160 201/549/1161 FAX		
TITLE: Tee Slot for Unistrut		
SIZE	DWG. NO.	REV
B	137	X
SCALE: 1:1		SHEET 1 OF 1

8 7 6 5 4 3 2 1

A

A