

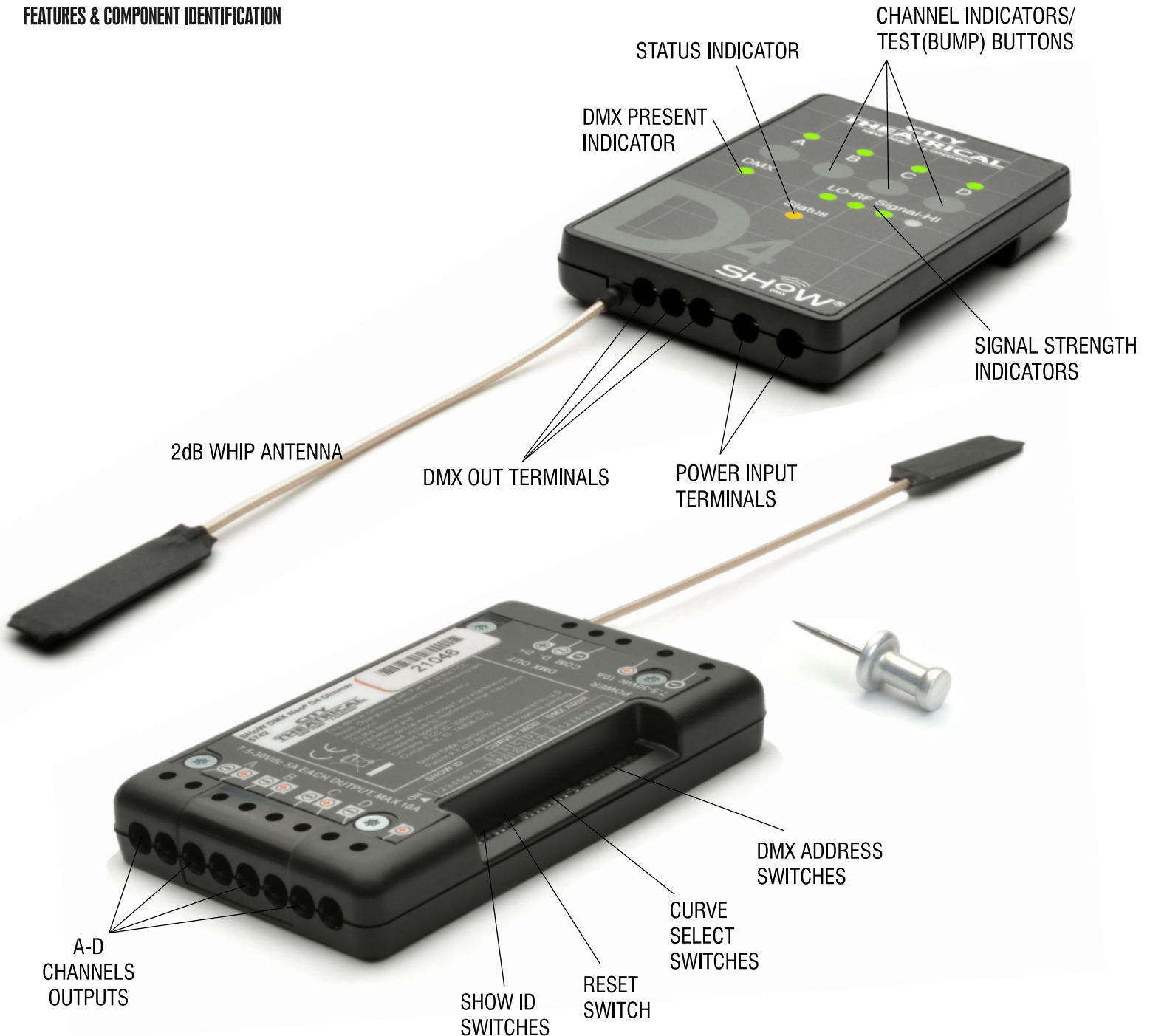
D4 SHoW DMX Neo[®] Dimmer -NO. 5742

DESCRIPTION

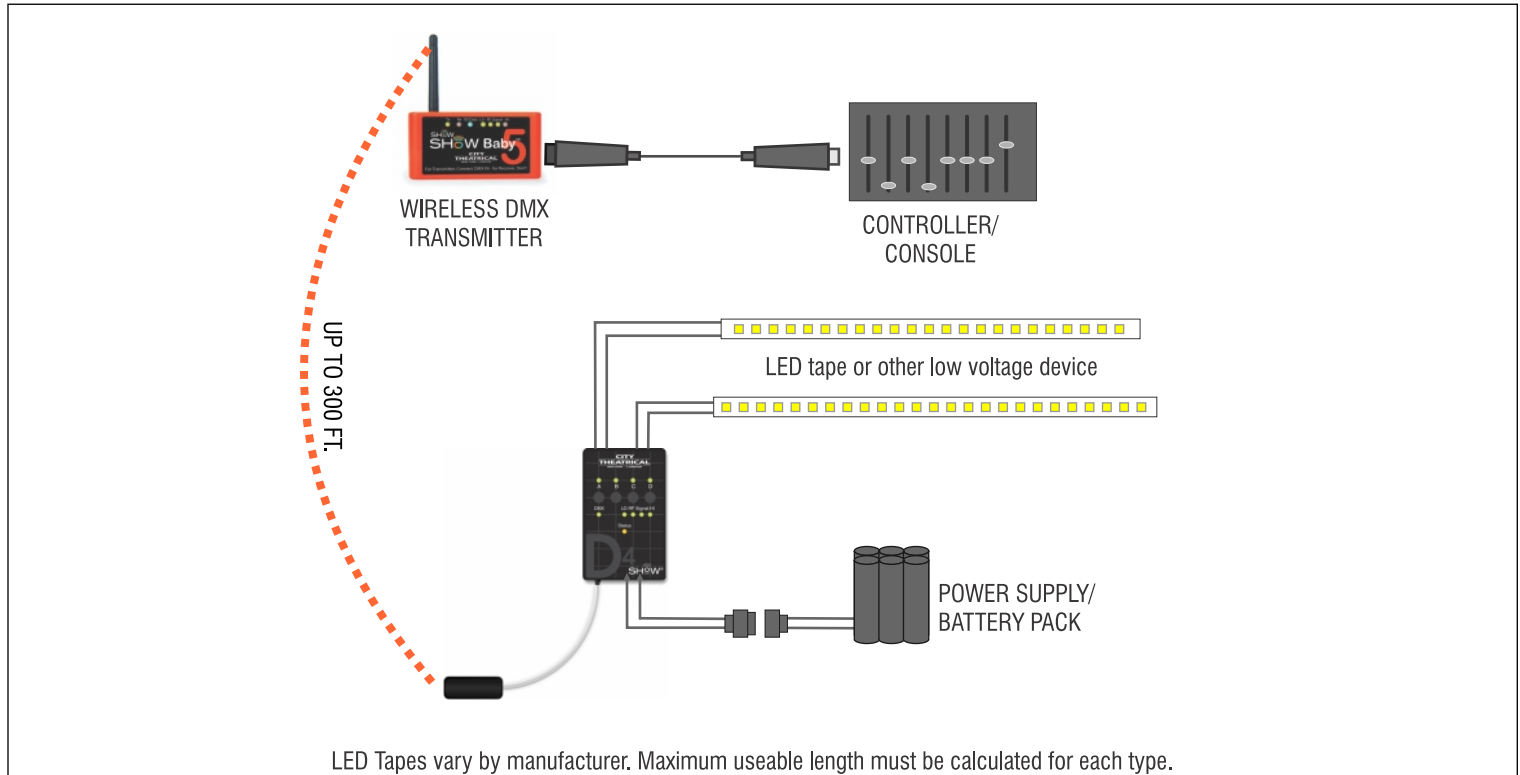
The D4 SHoW DMX[®] Dimmer adds wireless capability to our D4 Dimmer, making it the smallest full featured four channel wireless dimmer available. With the proven reliability and versatility of our patented SHoW DMX[®] technology included, this dimmer can receive and output DMX (a full universe) command instructions from up to 200 feet away making it the ideal dimmer for use in costumes or other freestanding/mobile props where direct wiring is not practical or possible.

The D4 SHoW DMX Neo[®] Dimmer features: Bump buttons, Channel indicators, Four dimming modes: *Linear* and *ISL* for incandescent use, *Non-Dim* (on/off) -for relays, solenoids etc. and *LED*. It also provides four variable smoothing rates and five TV/Film modes for ultra-smooth low end dimming and flicker free performance with LED tape. 7.5-30VDC 10A max input. 5A max output per channel, 10A max output per device.

FEATURES & COMPONENT IDENTIFICATION



SETUP SCHEMATIC



SPECIFICATIONS

Power

Maximum 5A-60watts per channel @12V
Maximum 5A-120watts per channel @ 24V
Maximum 10A per device

DMX Control Features

- SHoW DMX Neo® 2.4GHz Frequency Hopping Spread Spectrum (FHSS) Radio
- Wirelessly receive and output a full Universe (512 slots) of DMX
- Extremely low 7mS latency
- RDM proxy and responder functions
- Included 2dBi Omni-directional Flexible Cable Antenna
- SHoW DMX Neo and SHoW DMX Neo Adaptive wireless broadcast modes
- (SHoW IDs 101-164, 201-204) , compatible with SHoW DMX Neo® Transceiver, SHoW DMX SHoW Baby® 5 Transceiver, SHoW DMX Vero Net® Transceiver, SHoW DMX Vero® Transceiver, MasterBlast™

Other Features

- Four dimmer output channels
- Each channel individually protected against over-current
- Each channel individually protected against over-temperature
- Dimmer resolution 16-bit
- Dimming Curves (individually assignable by channel):
 - Linear
 - ISL
 - Non-Dim

-LED

- LED Modes
 - Tv / Film 1
 - Tv / Film 2
 - Tv / Film 3
 - Tv / Film 4
 - Tv / Film 5 (via RDM only)
- LED Smoothing Modes (Four Settings)
- Start DMX address
- Fully RDM enabled

Electronic/ Functional Features

- Individual Bump Buttons
- DIP Switch, DMX Addressing (9POS)
- DIP Switch, SHoW ID Addressing (8POS)
- DIP Switch, Curve Selection (4POS)
- DIP Switch, LED Curve Frequency Selection (2 POS)
- LED indicators:
 - Dimmer pilot lights (one for each channel)
 - Data (data present)
 - RF Signal Strength (4 LEDs) Low to High
 - Status

Connections

- Screw terminal connections for power input and dimmed output
- 3P Screw Terminals for DMX Out

Mechanical

- NEMA 1 ABS enclosure

Compliance

WHAT'S IN THE BOX:

D4 SHoW DMX unit
User manual

ADDITIONAL REQUIRED COMPONENTS:

Controller/console
DMX cable
Power supply/Battery pack
Wireless DMX Transmitter (SHoW Baby 5 / SHoW DMX Neo)

RECOMMENDED ACCESSORIES: