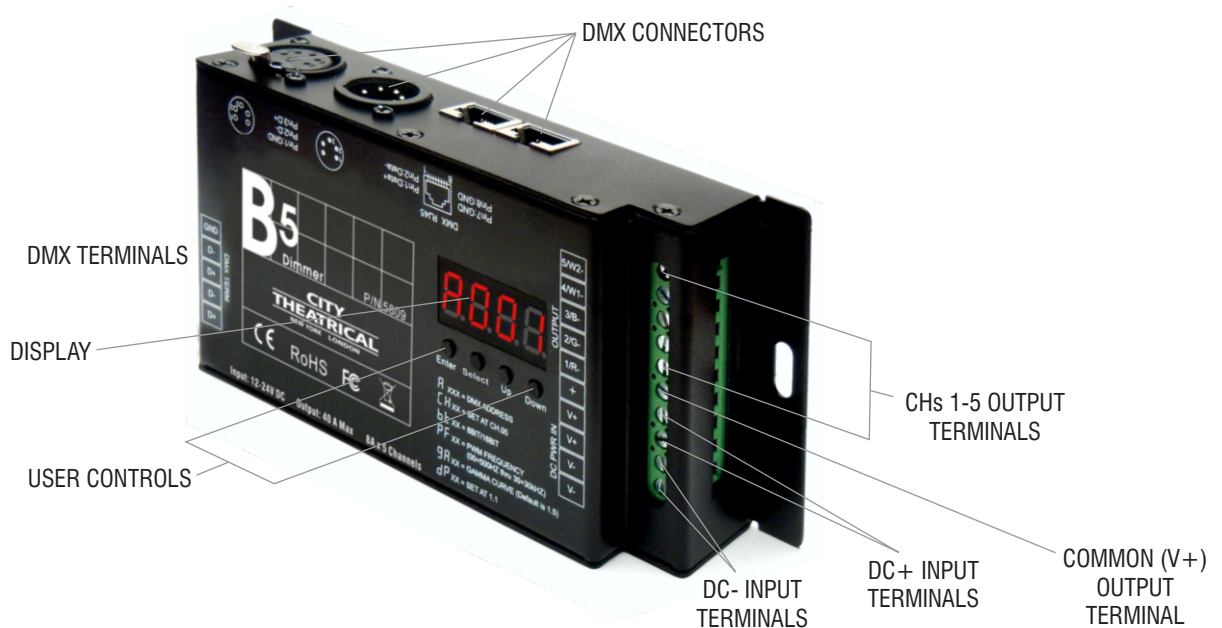


**B5 Dimmer**  
P/N 5809

The B5 Dimmer is a constant voltage dimmer that can control a full 40A ev revo daerps epat DEL fo channels of 8A each. This allows the use of unique combinations such as RGB tape (three channels) and bi-color tape (two channels), or RGBX tape (four channels) and a single color tape (one channel) together on one unit.

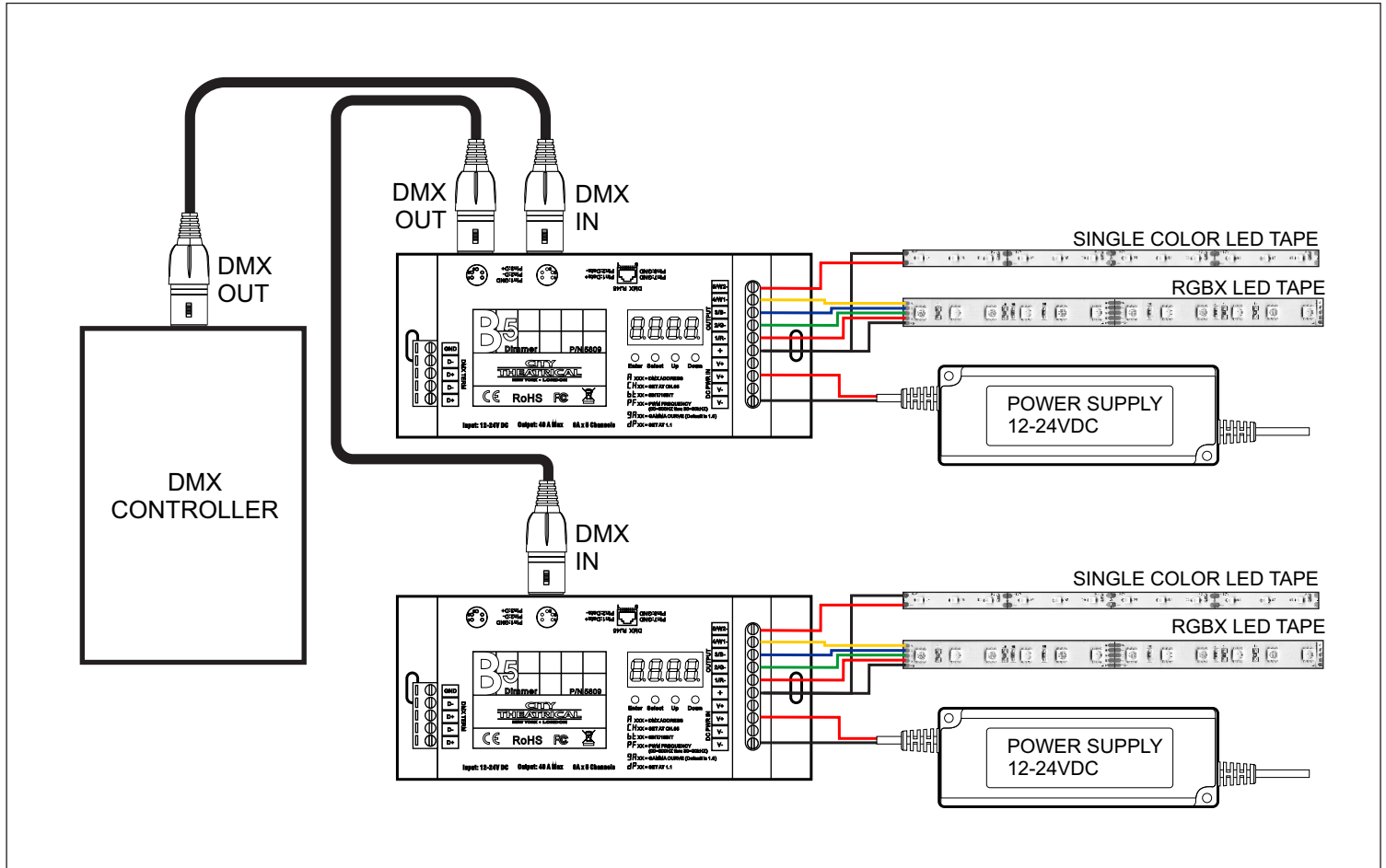
The B5 Dimmer is designed to operate perfectly with City Theatrical QolorFlex LED tape, the LED tape of professionals on Broadway, network television, and architectural lighting installations.



**Features:**

<b>CTI Part #:</b>	5809
<b>Maximum Current per device:</b>	40A
<b>Maximum load per screw terminal:</b>	20A
<b>User Interface:</b>	4 button, plus alpha/numeric display
<b>Output channels:</b>	<b>User selectable of one to five</b>
<b>Resolution:</b>	User selectable- 8 bit or 16 bit
<b>PWM Frequencies:</b>	User selectable- 500Hz to 30KHz
<b>Dimming Curves:</b>	User selectable- 99
<b>DMX Connections:</b>	5-Pin XLR, RJ45, Screw Terminals
<b>RDM capable:</b>	Yes
<b>Construction:</b>	Nema 4 IP 20 steel enclosure
<b>Compliance:</b>	CE, RoHS, FCC
<b>Physical:</b>	
Weight	.85lbs (.39 kg)
Dimensions	2.88"(73mm) W x 6.5" (165mm) L x 1.5"(38mm) H

# WIRING SCHEMATIC



# DIMENSIONS

