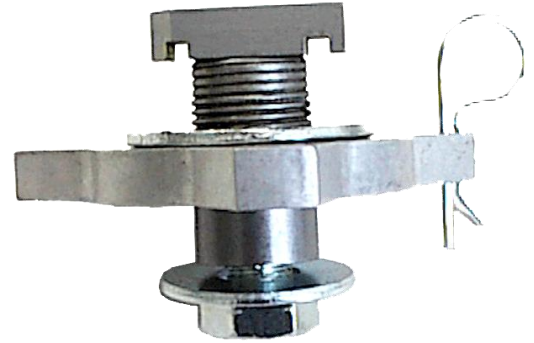


# CITY THEATRICAL I N C

475 BARELL AVENUE, CARLSTADT, NJ 07072  
800/230/9497 201/549/1160 201/549/1161 FAX  
www.citytheatrical.com

## Track Tamer™ with Knob P/N 521

The Track Tamer with Knob is a piece of mounting hardware designed for hanging fixtures from most 1½" C-channel tracks. It is unique in the way it separates the lock down of the track nut from the rotation of the lighting unit or other hung equipment. The 521 Track Tamer comes with a ½ - 13 x 1" Hex bolt, washer, and a cotter pin. The Track Tamer tightening knob is an easy grip winged knob. The knob has holes for a cotter pin to prevent the knob from vibrating loose. The operator now has positive control of the track nut inside the track, due to securing the track nut to the top of the shaft.



P/N 521

### Features:

- Separate tightening and fixture rotation mechanisms
- Provides more control over the track nut
- Deep milled track grooves to secure the Tamer in place
- Easy grip tightening nut

**Weight:** 1 lb.

**Dimensions:** 3-7/16" W x 2-5/16"H

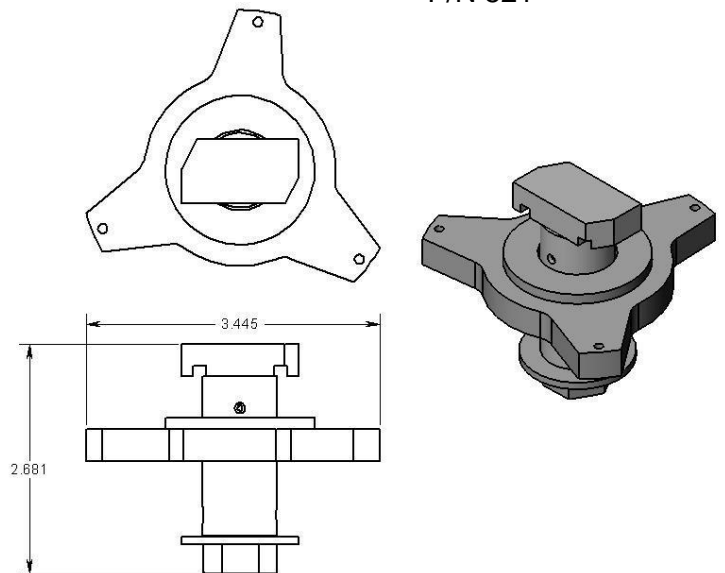
### A FEW DOs AND DON'Ts:

#### DO NOT:

- Weld anything to the Track Tamer
- Cut or grind the Track Tamer
- Suspend personnel from the Track Tamer
- Suspend equipment or structures intended for the use of lifting or supporting personnel in the air from the Track Tamer
- Use Track Tamer to suspend chain motors or any other lifting device

#### DO:

- Use two hands when working with equipment that is mounted to a Track Tamer
- Tighten the Hex Nut firmly against the bottom of the formed track each time you hang or rehang each piece of equipment
- Use an aircraft safety cable (or better) for each unit mounted to the formed track with Track Tamer, wrapping the safety cable around the nearest structural support
- Use only with vertical orientation



**Safe Working Load: 250 lbs.**

**City Theatrical Track Tamers are CE certified and RoHS compliant.**

