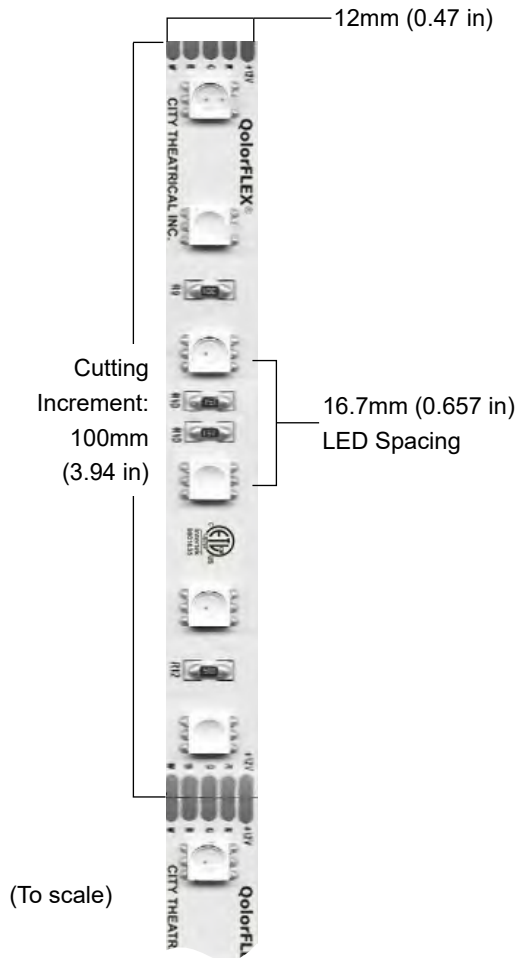


**QolorFLEX® QUAD CHIP LED TAPE,  
RGB + Amber  
5050-24-Q-RGBA-60-5-20-1**



**QolorFLEX Quad Chip LED Tape, RGB + Amber (P/N 5050-24-Q-RGBA-60-5-20-1)** is an interior grade 24V Quad Chip 4-in-1 RGBA LED Tape with a high output brightness and the ability to create a wide spectrum of colors when used with a DMX color control system. It is ideal for use in film, video and theatrical applications and is available in full 5 meter reels and sample strips.



**SPECIFICATIONS:**

| Physical          |        |             |
|-------------------|--------|-------------|
| Length            | 5m     | (16.404 ft) |
| Width             | 12mm   | (0.47 in)   |
| Cutting Increment | 100mm  | (3.94 in)   |
| LED Spacing       | 16.7mm | (0.657 in)  |
| Backing Color     | White  |             |

| Output                      |                 |
|-----------------------------|-----------------|
| Color(s)                    | RGB + Amber     |
| Color Temperature           | N/A             |
| Wavelength                  | 622/518/468/588 |
| Beam Angle                  | 120°            |
| Brightness                  | 560 lumens/m    |
| Color Rendering Index (CRI) | N/A             |




| Electrical               |           |
|--------------------------|-----------|
| Operating Voltage        | 24VDC     |
| Current                  | 2.5A      |
| Power Consumption (w/5m) | 60 w/5m   |
| Power Consumption (w/ft) | 3.66 w/ft |
| Density                  | 60 LEDs/m |
| LED Chip Size            | 5050      |

| Product Information |                |
|---------------------|----------------|
| Use Environment     | Indoor         |
| Dimmable            | Fully Dimmable |
| Average Life        | 25,000 hours   |
| Warranty            | Two years      |
| IP Rating           | IP20           |
| Compliance          | ETL, CE, RoHS  |















# QolorFLEX LED Tape Accessories


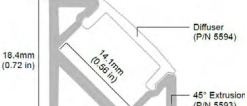

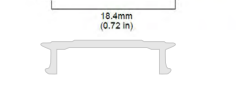

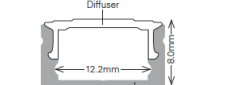


## Ribbon Cables:

| P/N     | NAME   |   |
|---------|--|---|
| 6607    | Ribbon Cable, Six Conductor, 18 GA                       |  |
| 6600    | Ribbon Cable, Five Conductor, 18 GA                      |  |
| 6600-20 | Ribbon Cable, Five Conductor, 20 GA (thinner than 18 GA) |  |
| 6608    | Ribbon Cable, Four Conductor, 18 GA                      |  |
| 6606    | Ribbon Cable, Three Conductor, 18 GA                     |  |
| 6605    | Ribbon Cable, Two Conductor, 18 GA                       |  |









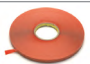


## Connectors:

| P/N  | NAME                                       |   |
|------|--|---|
| 6612 | Terminal Block Connector, Six Pin, Male    |   |
| 6613 | Terminal Block Connector, Six Pin, Female  |  |
| 6610 | Terminal Block Connector, Five Pin, Male   |  |
| 6611 | Terminal Block Connector, Five Pin, Female |  |
| 5673 | Terminal Block Connector, Four Pin Male    |  |
| 5674 | Terminal Block Connector, Four Pin Female  |  |
| 5671 | Terminal Block Connector, Three Pin Male   |  |
| 5672 | Terminal Block Connector, Three Pin Female |  |
| 5657 | Terminal Block Connector, 2-Pin Male       |  |
| 5658 | Terminal Block Connector, 2-Pin Female     |  |
| 6615 | Female barrel to screw terminal connector  |  |
| 6616 | Male barrel to screw terminal connector    |  |

## Extrusions and Diffusers:

| P/N  | NAME   |  |
|------|--|--|
| 6693 | Aluminum Extrusion, 45-Degree, 2m for 45-Degree LED Tape installations | <br> |
| 6694 | Diffuser for 45-Degree Extrusion, 2m                                   | <br> |
| 6690 | Aluminum Extrusion, Low Profile, 2m                                    | <br> |
| 6695 | Diffuser for Low Profile Extrusion, 2m                                 | <br> |

## End Caps, Tape, and Clips:

| P/N    | NAME   |   |
|--------|--|---|
| 6690-1 | End Cap for 6690 Aluminum Extrusion (Pack of 10)                     |    |
| 6690-2 | End Cap with hole for 6690 Extrusion (Pack of 10)                    |    |
| 6671-1 | End Cap for 6693 45-Deg Extrusion (Pack Of 10)                       |    |
| 6671-2 | End Cap with hole for 6693 45-Deg Extrusion (Pack Of 10)             |   |
| 6680   | Waterproof End Caps for Outdoor tapes (Packs of 10)                  |   |
| 6682   | 9mm w/ 2 holes   |  |
| 6682   | 8mm (no holes)   |  |
| 6684   | 12mm w/ 4 holes  |  |
| 6686   | 12mm (no holes)  |  |
| 6625   | 3M VHB Double Sided Tape Roll, 72 yards                              |  |
| 6630   | Outdoor Tape Clips and Screws (Pack of 12)                           |  |
| 6632   | Clips for 6693 45-Degree Extrusion (Metal) for LED Tape (Pack Of 12) |  |

## QolorFLEX Connect 10

P/N 5748



QolorFLEX Connect 10 is a practical and time saving solution for managing the multiple wire runs and numerous connections needed for large scale installations of LED tape.

Developed to complement QolorFLEX 5-in-1 LED Tape, QolorFLEX Connect 10 is a "plug-in box" that can connect up to nine runs of five, four, three, dual, or single color LED tape to a low voltage low dimmer. Each QolorFLEX Connect 10 uses 10 six position detachable Phoenix terminal block connectors to achieve a quick and well-ordered installation. QolorFLEX Connect 10 is constructed with a Nema 4 IP 20 steel enclosure, and offers a maximum current per device of 40A and maximum load per terminal of 20A.