

# CITY THEATRICAL

I N C

475 BARELL AVENUE, CARLSTADT, NJ 07072  
800/230/9497 201/549/1160 201/549/1161 FAX  
www.citytheatrical.com

## PROJECTOR DOWSER

The City Theatrical **Part # 4160** Projector Dowser is a DMX 512 controlled mechanical dowser for use with digital projectors. The Projector Dowser changes “video black” to a real blackout by positioning a large flag in front of the projector’s lens.

### Features:

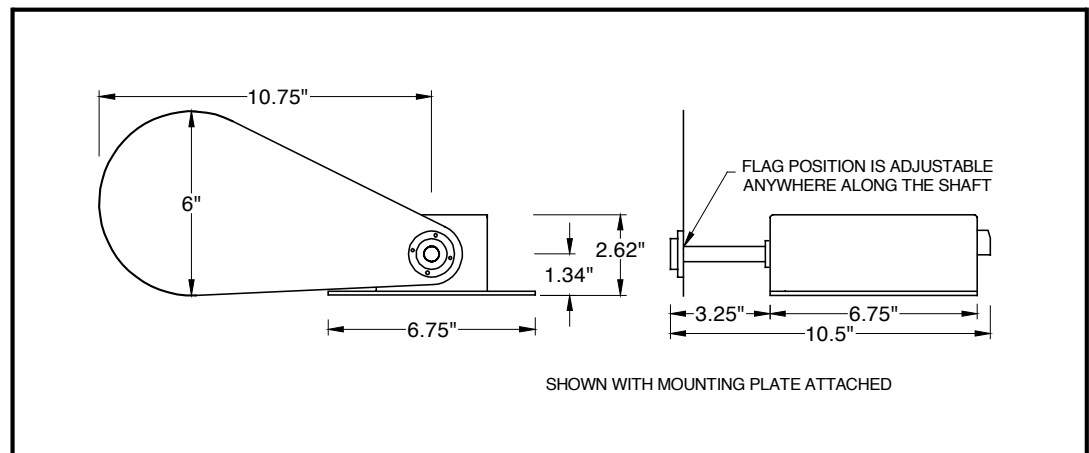
- A large flag is adjustable on the motor shaft to allow the Dowser to be placed above, below, or to either side of the projector.
- Travel of the flag is DMX adjustable within a range of 90 degrees. (Full 90 degree travel takes under one second at full speed.)
- Large flag may be trimmed with heavy shears or tin snips to suit your application.
- Connects via industry standard DMX/accessory power 4 Pin XLR cables.
- Compatible with CTI # 2199 Power Supply, or Wybron Forerunner™, Chroma Q™, Rainbow™, Spectra Q™ and Rosco PS™ power supplies.
- Dry closure control input for operation without DMX provides local manual control, or connection to a show controller.
- LED status indication
- Uses a single DMX channel, addressable as any DMX value from 1 to 512. Addressing is controlled by a standard array of three 10 digit BCD switches, configured as 100s, 10s, and 1s
- Comes with accessory kit including an accessory plate, velcro pad kit, allen key, and rubber feet.
- Made in U.S.A.



**Power:** 24VDC, 250mA

**Weight:** 3.0 lbs

### Dimensions:



For complete technical documentation, please see the Projector Dowser User's Manual on the City Theatrical website, [www.citytheatrical.com](http://www.citytheatrical.com).