

**TEE SLOT FOR
UNISTRUT
P/N: 137**

The Tee Slot is the receiving part of the Moving Light Hanger System. The Tee Slot works in conjunction with the Tee Head to hang a moving light in the same place each time. The 137 Tee Slot comes with a 5/16" bolt and a Unistrut nut allowing it to be attached to any 1-5/8" C-channel track. It has a milled square top to lock the Tee Slot in the C-channel track. The Tee Head settles into a groove in the Tee Slot to temporarily hold the head in place even when the Tee Head knob isn't tightened.



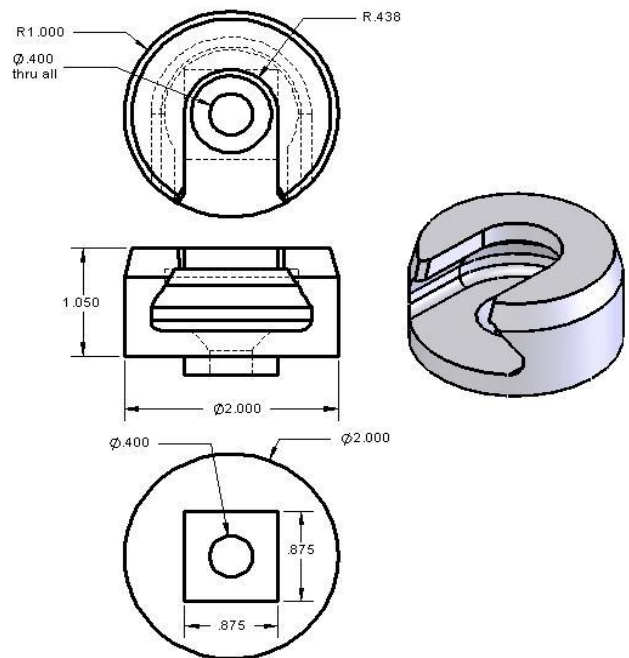
P/N: 137

Features:

- Can hold up to 100 pounds hanging straight down
- Designed to be used with P/N 135 Tee Head
- Made to be mounted on 1-5/8 C-channel track
- Safety groove to secure the Tee Head even when it isn't locked down

Weight: 0.25 lbs

Dimensions: 1-7/8" W x 1-7/8"H x 1-7/8"D



A FEW DOs AND DON'Ts:

DO:

Remember to tighten the tightening knob on the Tee Head against the base of the Tee Slot.

Remember to insert and settle the Tee Head fully into the Tee Slot prior to tightening the tightening knob.

DO NOT:

Weld anything to the Tee Slot or Tee Head.

Use the Tee Slot System to hang any personnel.

Use the Tee Slot System to hang a structure on which personnel will be working.

Use the Tee Slot System for any purpose for which it was not intended.