

TEE HEAD
P/N: 135

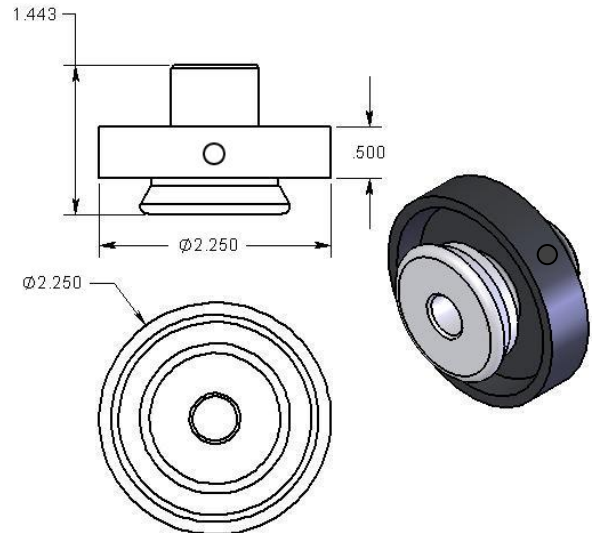
The Tee Head is the male part of the Moving Light Hanger System. The Tee Head works in conjunction with the Tee Slot to hang a moving light in the same place each time. The 135 Tee Head comes with a ½"-13 bolt, washer, a cupped tightening knob, and a rubber clip. The Tee Head settles into a groove in the Tee Slot to temporarily hold the head in place even when the Tee Head knob isn't tightened. Place the rubber clip on spare threads below the knurled tightening knob during transportation to prevent the tightening knob from loosening.



P/N: 135

Features:

- Can hold up to 100 pounds hanging straight down
- Designed to be used with Tee Slots 130, 137, and 138
- Comes with a rubber clip for transportation
- Safety groove to secure the Tee Head in the Tee Slot even when it isn't locked down
- A ¼" hole on the side of the Tee Head that can be used for extra tightening in a Moving Light Hanger system using a [McMaster #5475A16 Pin Spanner Wrench](#) for Holes on The Side. Best to use in installation environments with regular movement/vibration, like cruise ships.



Weight: 1.5 lbs

Dimensions: 3¼" W x 2¾" H x 3¼"D

A FEW DOs AND DON'Ts:

DO:

- Remember to tighten the tightening knob on the Tee Head against the base of the Tee Slot.
- Remember to insert and settle the Tee Head fully into the Tee Slot prior to tightening the tightening knob.

DO NOT:

- Weld anything to the Tee Slot or Tee Head.
- Use the Tee Slot System to hang any personnel.
- Use the Tee Slot System to hang a structure on which personnel will be working.
- Use the Tee Slot System for any purpose for which it was not intended.